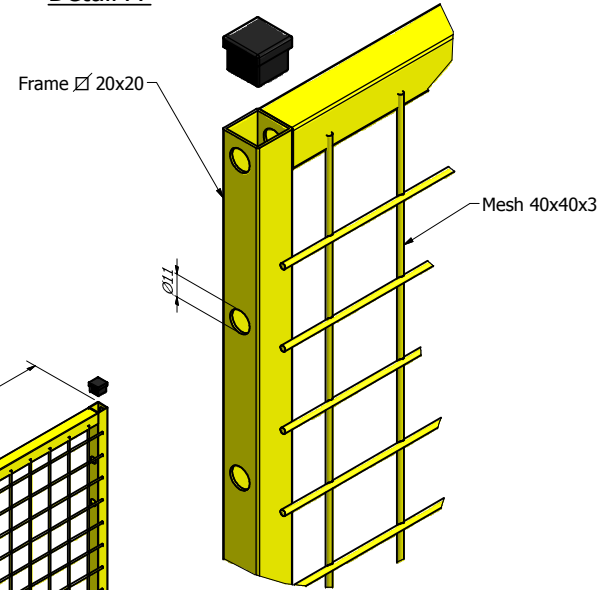
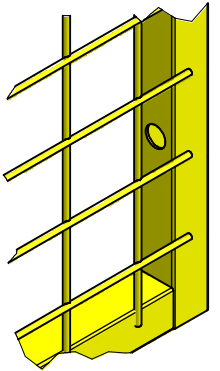


Detail A



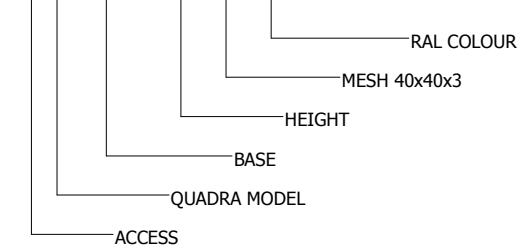
Detail B



| HEIGHT PANEL | | | | |
|------------------|------|------|------|------|
| | 960 | 1500 | 1900 | 2200 |
| B A S E | 1500 | 1500 | 1500 | 1500 |
| | 1200 | 1200 | 1200 | 1200 |
| | 1000 | 1000 | 1000 | 1000 |
| | 800 | 800 | 800 | 800 |
| | 700 | 700 | 700 | 700 |
| | 400 | 400 | 400 | 400 |
| | 250 | 250 | 250 | 250 |

ORDER CODE

A P 0000 0000 A 0000



| | | | |
|------------------|-----------------------------------|--|---|
| Steel : S 235 JR | Standard colours : 1018/7035/9005 | Finish : Powder coating on self colour | Description : Welded mesh guard panel Quadra system |
|------------------|-----------------------------------|--|---|

| | | |
|--|------------------------|--|
| | Code : AP00000000A0000 | Standard height Quadra system : h.960/1500/1900/2200 |
|--|------------------------|--|

ACCESS - Safely reserves all rights on this drawing and forbids any reproduction or conveyance to third parties without written authorization.